



# Домофонни системи

# КОМПОНЕНТИ

## Вътрешни тела - VTH



## Свързаност



TCP/IP - POE



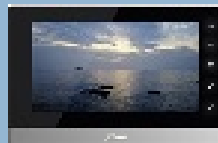
2 WIRE

## Външни тела - VTO





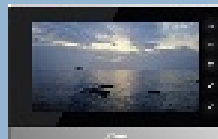
# Еднопостови VTO



Sub VTH

вътрешните и външните тела могат да се дублират

Main VTH

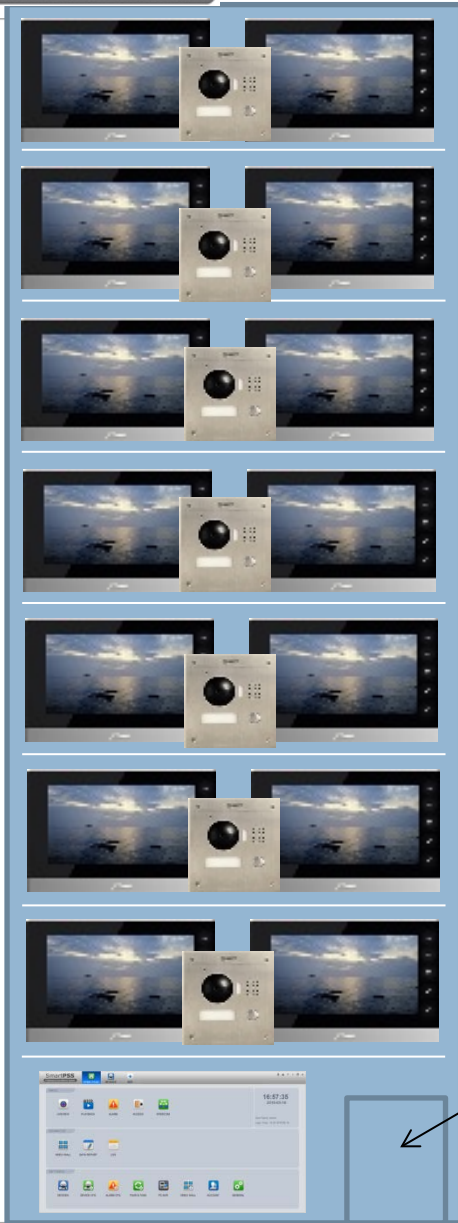


Main VTO



Sub VTO

# Многопостови VTO



VTO2000A-C



VTO2000A-B



VTO2000A-R



VTO2000A-K

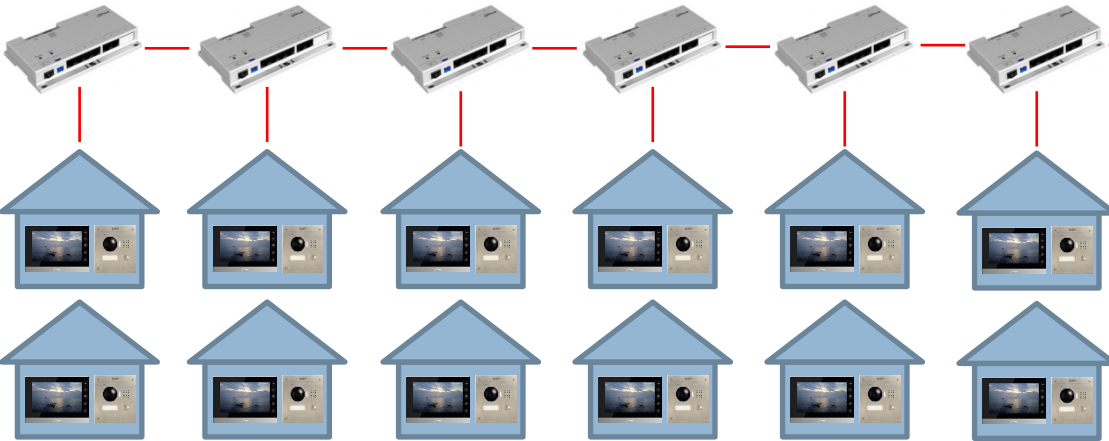
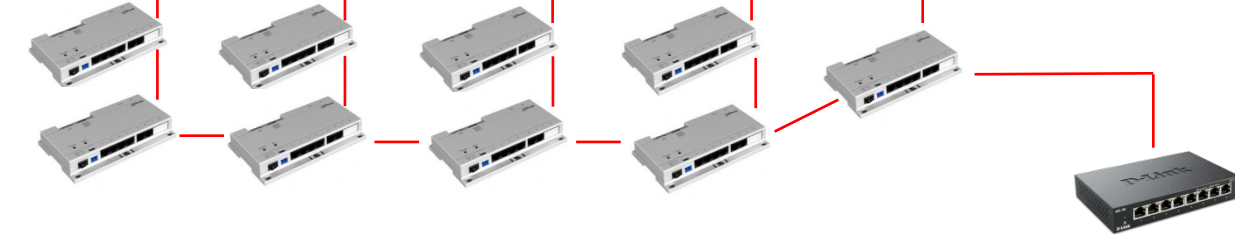


VTO2000A-F



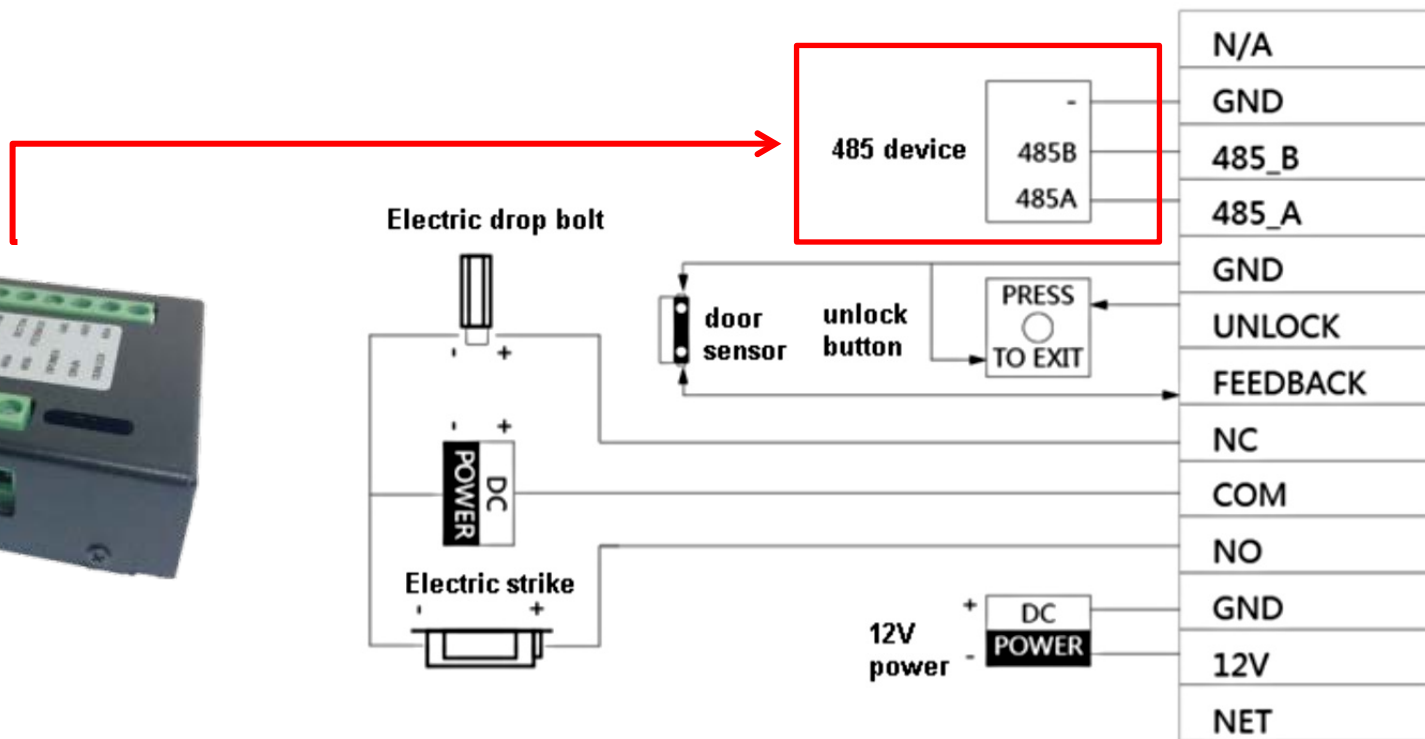


92 VTH  
12 VTO



31 VTH  
24 VTO

# Отключване на втора врата през VTO





# VTH като алармен панел



6 зони  
4 режима  
1 алармен изход - NO

Смяна NO/NC  
Bypass  
Delay  
LOG

A screenshot of the 'Security Alarm' interface showing a table of area details. The table has four columns: 'Area No.', 'Area Type', 'Current Status', and 'Delay Time'. The 'Area Status' menu item is highlighted in orange. At the bottom, there are four buttons: 'Set', 'Bypass', 'Remove', and 'Refresh'.

Area No.	Area Type	Current Status	Delay Time
Area 1	Urgency Button	Instant Alarm	0S/0S
Area 2	Gas Sensor	Instant Alarm	0S/0S
Area 3	Smoke Sensor	Instant Alarm	0S/0S
Area 4	IR	Instant Alarm	0S/0S
Area 5	IR	Instant Alarm	0S/0S
Area 6	IR	Instant Alarm	0S/0S



# Добавяне на IP камера

The screenshot shows the 'Project Settings' interface for adding an IP camera. The main area contains the following fields:

IPC1 Name	IPC
IP Address	0 . 0 . 0 . 0
User Name	admin
Password	•••••

Navigation and action elements include a home icon at the top right, a left arrow on the left side, a right arrow on the right side, and an 'OK' button at the bottom center. A sidebar on the right contains the following menu items:

- Product Info
- Network
- IPC Info** (highlighted in orange)
- Default
- Back